

Micro Wire Saddle

Nylon 6/6 (UL 94 V-0)



FEATURES:

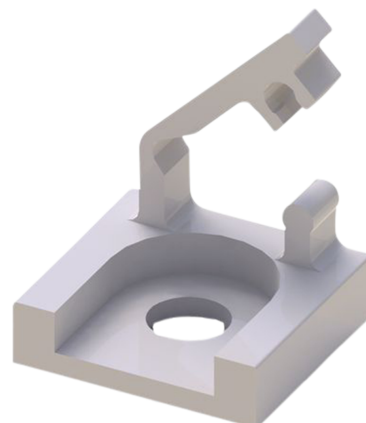
- Pack of 50 pieces
- Locking on top base
- With 1/32 acrylic adhesive tape
- Flame retardant nylon RMS-19 material

SPECIFICATION:

Colour	Natural
Material	Nylon 6/6 (UL 94 V-0)

Art. Nr.

RND 610-00281



For more information and technical drawings, please contact us at info@distrelec.com.

